

3 1/2 DIGITAL PANEL METER (0.8" LED)

DCB

FEATURES

- Accuracy: $\pm 0.1\%$ F.S. ± 1 digit (DC / PT-100)
 $\pm 0.2\%$ F.S. ± 1 digit (AC)
- Measuring AC, DC Voltage / AC, DC Current / PT-100)
- High brightness 0.8" LED display range: -1999~1999; decimal point selectable
- High stability, non-flammable case (PC), high safety
- Meter depth 62 mm, easily installation
- CE approval



ORDER INFORMATION: DCB - Code 1 - Code 2 - Code 3

Code1	Input Type	Code2	Voltage	Code2	Current	Code2	RTD(PT-100)	Code3	Aux. Power
D	DC	V4	0-10V	A6	4-20mA	TO	-200~600°C	A	AC115/230V
A	AC	V7	0-600V	A8	0-5A				
T	RTD(PT-100)	VO	Option	AO	Option				
2	2.3Wire Potentiometer								
4	4Wire Potentiometer								

**1: 2 wire type offers excitation power DC24V for 2 wire (Loop Power) pressure, temperature, humidity sensors using.

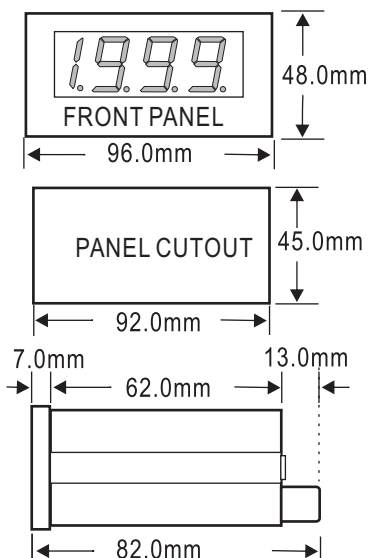
SPECIFICATION

- ◆ Accuracy: $\pm 0.1\%$ F.S. ± 1 digit (DC / Potentiometer / PT-100 / $\pm 0.2\%$ F.S. ± 1 digit (AC)
- ◆ Display Screen: High brightness red LED; 20.3mm(0.8")
- ◆ Sampling Cycle: 3 cycles / sec
- ◆ Display Range: -1999~1999
- ◆ Zero Adjustment: $\pm 5\%$
- ◆ Over Range Indication: 1 or -1
- ◆ Polarity Indication: Automatic with "-" indication
- ◆ Temperature Coefficient: 100ppm / °C (0~60°C)
- ◆ Operating Temperature: 0~60°C
- ◆ Operating Humidity: 20~90% RH (non-condensing)
- ◆ Storage Temperature: -10~70°C
- ◆ Storage Humidity: 20~90% RH (non-condensing)
- ◆ Power Supply: AC 115/230V $\pm 10\%$
- ◆ Power Consumption: 4.5VA
- ◆ Surge Test: 2KVac / 1min (Input / Power)
- ◆ Input Impedance: Voltage: $>2V$ for 20K Ω / V;
 $\leq 2V$ for $>200M\Omega$
Current: $\geq 0.2A$ at 100mV; $<0.2A$ at 1V
- ◆ Dimensions: 96(W)*48(H)*82(D) mm
- ◆ Weight: About 300 g

CALIBRATION

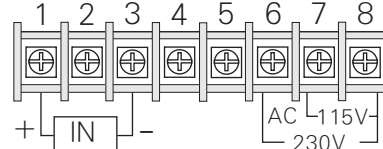
-
- **Example:**
Input: 0-10 Vdc
Display: 0-100.0 M/min
Aux. Power: AC 115/230V, 50/60 Hz
- **Calibration Operating Procedures:**
1. Close 3SB, and DP3 lights.
 2. Input DC 0V and adjust (ZERO)
 3. Input DC 10V and adjust (SCALE) to max
 4. Input DC 10V and fine adjust (SPAN)
 5. Finish the calibration

DIMENSION

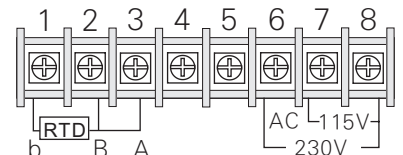


WIRING CONNECTION

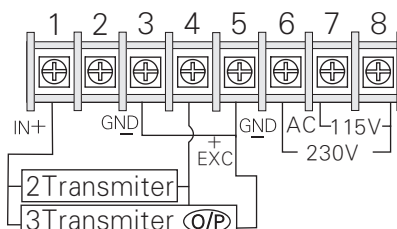
● Voltage, Current (AC, DC):



● RTD(PT-100)



● 2,3 Wire Transmitter



● 4 Wire Transmitter

