

DIGITAL PANEL METER with 2 ALARMS (DIP SWITCH TYPE)

DC3M-AP DC4M-AP

FEATURES

- Accuracy: $\pm 0.1\%$ F.S. ± 1 digit (DC / PT-100); $\pm 0.2\%$ F.S. (AC)
- Measuring AC, DC Voltage / AC, DC Current / PT-100I
- High brightness 0.4" LED
- Display range: -1999~1999 (DC3M-AP); -19999~19999 (DC4M-AP)
- Easily Alarm value setting by front dip-switch



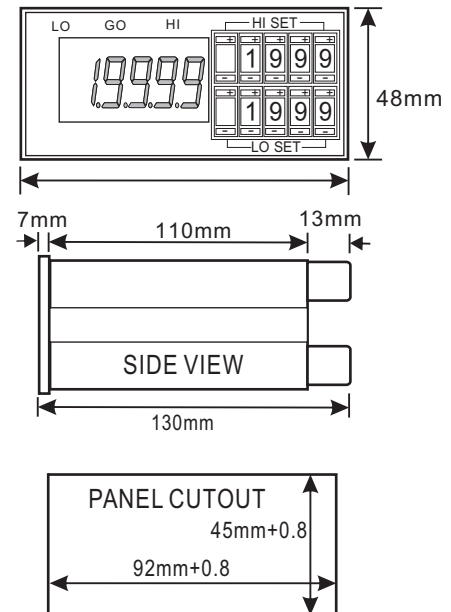
ORDER INFORMATION: DC3M-AP-Code 1 Code 2 - Code 3 - Code 4 DC4M-AP-

Code 1	Input Type	Code 2	Voltage	Code 2	Current	Code 2	RTD (PT-100)	Code 3	Aux. Power	Code 4	Alarm Output
D	DC	V1	0~50mV	A1	0~20uA	T1	-50~50°C	A	AC 110/220V	R1	1 Relay
A	AC AVG	V2	0~5V	A2	0~200uA	T2	-100~100°C	B	DC 110V	R2	2 Relays
M	AC TRMS	V3	1~5V	A3	0~2mA	T3	-200~200°C	C	DC 24V	R3	2 Relays + GO Relay
T	RTD (PT-100)	V4	0~10V	A4	0~20mA	T4	0~600°C	O	Option		
		V5	0~36V	A5	0~200mA	TO	Option				
		V6	0~300V	A6	4~20mA						
		V7	0~600V	A7	0~2A						
		VO	Option	A8	0~5A						
				A9	0~10A						
				AO	Option						

SPECIFICATION

- ◆ Exciting Power: AC110V&220V $\pm 20\%$ (50or60Hz)
- ◆ Accuracy: 0.1% F.S. ± 1 digit(DC/PT-100)
0.25% F.S. ± 1 digit(AC)
- ◆ Sampling Time: 3 cycles/sec
- ◆ Display Range: -1999~1999(DC3M); -19999~19999(DC4M)
- ◆ Alarm Setting Range: -1999~1999(DC3M); -19999~19999(DC4M)
- ◆ Alarm Setting: Push wheel digital switch
- ◆ Temperature Coefficient: 50ppm/°C (0~50°C)
- ◆ Display Screen: Bright Red LED high 10.16mm(0.4")
- ◆ Parameters Setting: Touch switches
- ◆ Back Up Memory: Non-volatile EEPROM memory
- ◆ Surge Test: 2KVac/1min. (input/output/power)
1600Vdc(input/output)
- ◆ Operating Temperature: 0~50°C (20 to 90% RH non-condensed)
- ◆ Storage Temperature: 0~70°C (20 to 90% RH non-condensed)

DIMENSION



WIRING CONNECTION

