

5 DIGITAL MICRO-PROCESS METER with 2 ALARMS (DIP SWITCH TYPE)

DC5M-AP

FEATURES

- Accuracy: $\pm 0.05\%$ F.S. ± 1 digit (DC / Potentiometer / Load Cell)
- Measuring AC, DC Voltage / AC, DC Current / Potentiometer / Load Cell
- High brightness 0.4" LED display range: -19999~99999; decimal point selectable
- Easily Alarm value setting by front dip-switch
- Max. Hold / Date Hold / 2 alarms (Hi or Lo) programmable



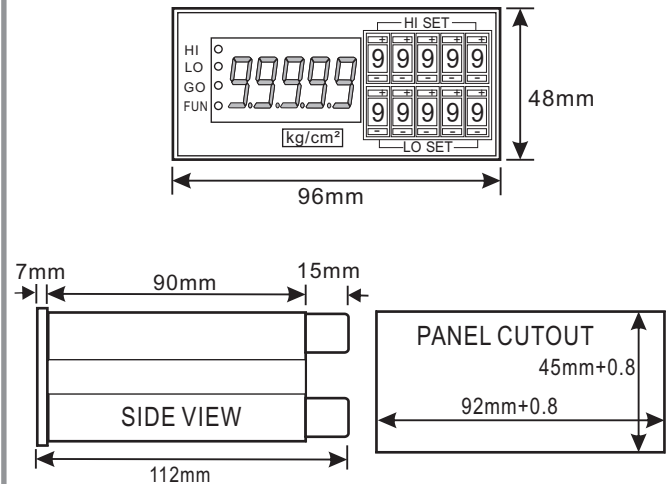
ORDER INFORMATION: DC5M-AP- [Code 1] [Code 2] - [Code 3] - [Code 4]

Code 1	Input Type	Code 2	Voltage	Code 2	Current	Code 2	Potentiometer	Code 2	Resistor	Code 2	RTD (PT-100)	Code 2	Load Cell	Code 3	Aux. Power	Code 4	Alarm Output
D	DC	V1	0~50mV	A1	0~20uA	P1	500Ω~10KΩ	I1	0~10Ω	T1	-50~50℃	L1	1mV/V EX.5V	A	AC 110/220V	R1	1 Relay
A	AC AVG	V2	0~5V	A2	0~200uA	P2	10KΩ~100KΩ	I2	0~100Ω	T2	-100~100℃	L2	2mV/V EX.5V			R2	2 Relays
M	AC TRMS	V3	1~5V	A3	0~2mA	P3	100KΩ~1MΩ	I3	0~1KΩ	T3	-200~200℃	L3	3mV/V EX.5V				
P	3 Wire Potentiometer	V4	0~10V	A4	0~20mA	PO	Option	I4	0~10KΩ	T4	0~600℃	L4	1mV/V EX.10V				
I	2 Wire Resistor	V5	0~36V	A5	0~200mA			I5	0~100KΩ	TO	Option	L5	2mV/V EX.10V				
T	RTD (PT-100)	V6	0~300V	A6	4~20mA			IO	Option			L6	3mV/V EX.10V				
L	Load Cell	V7	0~600V	A7	0~2A							LO	Option				
2	2, 3 Wire Sensor	VO	Option	A8	0~5A												
4	4 Wire Sensor			A9	0~10A												
				AO	Option												

SPECIFICATION

- ◆ Exciting Power: AC110V&220V $\pm 20\%$ (50or60Hz)
- ◆ Accuracy: 0.05% F.S. ± 1 digit
0.2% F.S. ± 1 digit(AC)
- ◆ Sampling Time: 16cycles/sec
- ◆ Display Range: -19999~99999
- ◆ Alarm Setting Range: -1999~9999
0~99999
- ◆ Alarm Setting: Push wheel digital switch
- ◆ Alarm Run Delay Time: 0~99.9 second
- ◆ Temperature Coefficient: 50ppm/℃ (0~50℃)
- ◆ Display Screen: Bright Red LED high 10.16mm(0.4")
- ◆ Parameters Setting: Touch switches
- ◆ Back Up Memory: Non-volatile EEPROM memory
- ◆ Surge Test: 2KVac/1min. (input/output/power)
1600Vdc(input/output)
- ◆ Operating Temperature: 0~50℃ (20 to 90% RH non-condensed)
- ◆ Storage Temperature: 0~70℃ (20 to 90% RH non-condensed)

DIMENSION



WIRING CONNECTION

