

# 3 1/2 DIGITAL PANEL METER (24x48mm)

# DCS

## FEATURES

- Accuracy:  $\pm 0.1\%$  F.S.  $\pm 1$  digit (DC / PT-100 / K / J)  
 $\pm 0.2\%$  F.S.  $\pm 1$  digit (AC)
- Measuring AC, DC Voltage / AC, DC Current / PT-100 / K / J
- High brightness 0.4" LED display range: -1999~1999; decimal point selectable
- High stability, non-flammable case (PC), high safety
- Meter depth 59 mm, easily installation
- CE approval



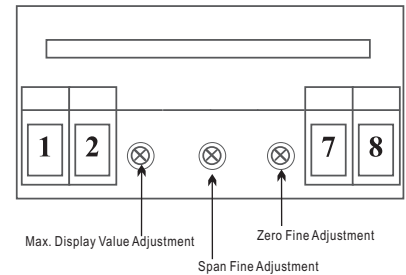
## ORDER INFORMATION: DCS - Code 1 - Code 2 - Code 3

Code1	Input Type	Code2	Voltage	Code2	Current	Code2	Temperature	Code3	Aux. Power
D	DC	V4	0-10V	A6	4-20mA	PT	PT-100 0~600°C	D5	DC 5V
A	AC	V6	0-250V	AO	Option	K	K Type 0~1200°C	D12	DC 12V
T	Temperature	VO	Option			J	J Type 0~750°C	D24	DC 24V
						TO	Option		

## SPECIFICATION

- ◆ Accuracy:  $\pm 0.1\%$  F.S.  $\pm 1$  digit (DC / PT-100 / K / J)  
 $\pm 0.2\%$  F.S.  $\pm 1$  digit (AC)
- ◆ Display Screen: High brightness red LED; 10.14mm(0.4")
- ◆ Sampling Cycle: 3 cycles / sec
- ◆ Display Range: -1999~1999
- ◆ Zero Adjustment:  $\pm 5\%$
- ◆ Over Range Indication: 1 or -1
- ◆ Polarity Indication: Automatic with "-" indication
- ◆ Temperature Coefficient: 100ppm/°C (0~60°C)
- ◆ Operating Temperature: 0~60°C
- ◆ Operating Humidity: 20~90% RH (non-condensing)
- ◆ Storage Temperature: -10~70°C
- ◆ Storage Humidity: 20~90% RH (non-condensing)
- ◆ Power Supply: DC 5V / DC 12V / DC 24V
- ◆ Power Consumption: 700mW
- ◆ Surge Test: 2kVac / 1min (Input / Power)
- ◆ Input Impedence: Voltage: >2V for 20kΩ / V;  
 $\leq 2V$  for >200MΩ  
Current:  $\geq 0.2A$  at 100mV; <0.2A at 1V
- ◆ Dimensions: 48(W)\*24(H)\*59(D) mm
- ◆ Weight: About 55 g

## CALIBRATION



\*\*Example:

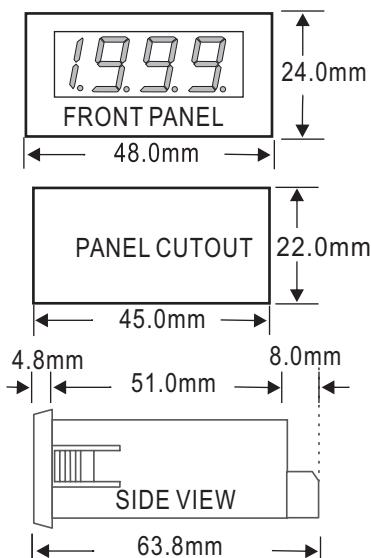
Input: 0-10 Vdc

Display: 0-100.0 M/min

\*\*Calibration Operating Procedures:

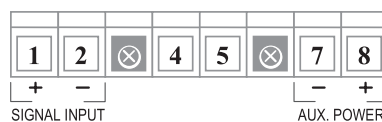
1. Input DC 0V and adjust (ZERO)
2. Input DC 10V and fine adjust (SPAN)

## DIMENSION

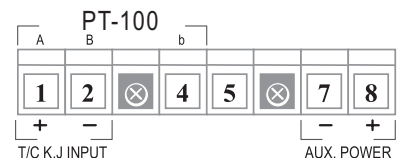


## WIRING CONNECTION

- Voltage, Current (AC, DC):



- RTD(PT-100)



- Thermocouple (K / J)

