

# 5 DIGITAL LCD SELF-POWERED METER (24x48mm)

# DCL

## FEATURES

- Accuracy:  $\pm 0.1\%$  F.S.  $\pm 1$  digit
- Measuring DC Voltage / DC Current
- High brightness LCD background display range: -19999~99999; decimal point selectable
- Meter depth 48.5 mm, easily installation
- CE approval



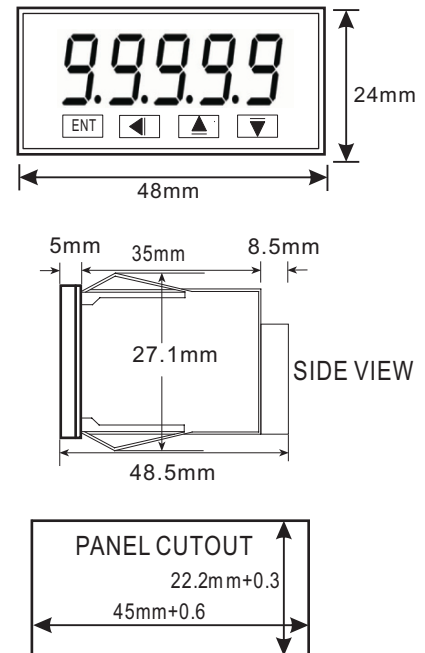
## ORDER INFORMATION: DCL - [Code 1] [Code 2]

Code 1	Input Type	Code 2	Voltage	Code 2	Current
D	DC	V1	0~50mV	A1	0~20uA
		V2	0~5V	A2	0~200uA
		V3	1~5V	A3	0~2mA
		V4	0~10V	A4	0~20mA
		V5	0~36V	A5	0~200mA
		V6	0~300V	A6	4~20mA
		V7	0~600V	A7	0~2A
		V0	Option	A8	0~5A
				AO	Option

## SPECIFICATION

- ◆ Accuracy: 0.1% F.S.  $\pm 1$ digit
- ◆ Sampling Cycle: 2.5 cycles/sec
- ◆ Display Rang: -19999~99999
- ◆ Temp. Coefficient: 50ppm/°C (0~50°C)
- ◆ Display Screen: Red high efficiency LEDs high 10.16mm(0.4")
- ◆ Parameters Setting: Touch switches
- ◆ Back Up Memory: Non-volatile EEPROM memory
- ◆ Surge Test: 1.5KVac/1min. (input/power/display)
- ◆ Exciting Power: 12VDC  $\pm 3\%$  (<50mA)
- ◆ Operating Temp.: 0~50°C (20 to 90% RH non-condensed)
- ◆ Storage Temperature: 0~70°C (20 to 90% RH non-condensed)

## DIMENSION



## WIRING CONNECTION

