

WHEEL TYPE LENGTH ENCODER

GL

FEATURES

- Photo electric signal output NPN, signal stable
- Nickel Zinc Alloy material type
- Power supply DC 12~24V
- Diameter 87.2 mm (The circle is to 0.3 Yard)
- Diameter 97.5 mm (The circle is to 0.3 Meter)



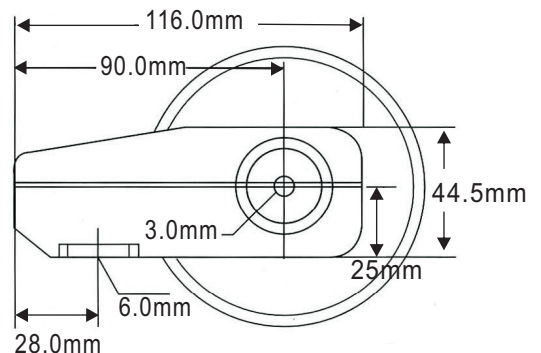
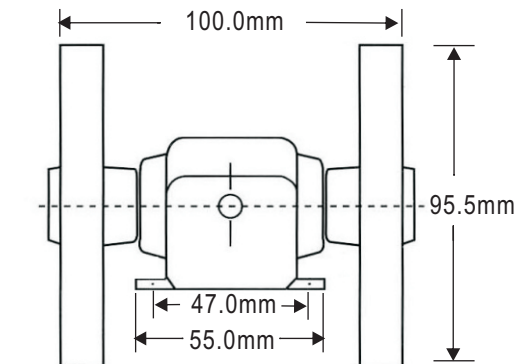
ORDER INFORMATION: GL- Code 1

Code 1	Output Signal	Code 1	Output Signal
S1M	Single Phase 10cm	D1M	AB Phase 10cm
S2M	Single Phase 1cm	D2M	AB Phase 1cm
S3M	Single Phase 1mm	D1Y	AB Phase 0.1Yard
S1Y	Single Phase 0.1Yard	D2Y	AB Phase 0.01Yard
S2Y	Single Phase 0.01Yard		

SPECIFICATION

- ◆ Measure Unit: 1 mm / 1 cm / 10 cm / 0.01 Yard / 0.1 Yard
- ◆ Output Type: Single Phase, AB Phase
- ◆ Output Resistance: 2.7 Kohm
- ◆ Output Current: 150 mA
- ◆ Temperature Coefficient: 100ppm / °C (0~60°C)
- ◆ Operating Temperature: 0~60°C
- ◆ Operating Humidity: 20~90% RH (non-condensing)
- ◆ Storage Temperature: -10~70°C
- ◆ Storage Humidity: 20~90% RH (non-condensing)
- ◆ Power Supply: DC 12~24V
- ◆ Power Consumption: 25~70 mA

DIMENSION



WIRING CONNECTION

● Single Phase:



Red: DC 12~24V
Black: Ground (DC 0V)
White: Output Signal

● AB Phase:



Red: DC 12~24V
Black: Ground (DC 0V)
White: Output Signal A
Green: Output Signal B