

# MINI SQUARE TYPE PROXIMITY SWITCH

# DA-0802

## FEATURES

- PBT plastic housing
- Plug socket optional, easily installation
- Detecting distance: 1~2.5 mm



## ORDER INFORMATION : DA-0802 [Code 1] - [Code 2]

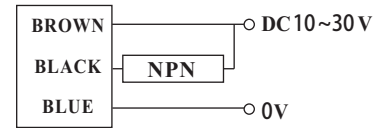
Code 1	Output Type	Code 2	Wire Type
NO	NPN Normal Open	Empty	2 M Wire
NC	NPN Normal Close	P	Plug Socket
PO	PNP Normal Open	O	Option
PC	PNP Normal Close		

## SPECIFICATION

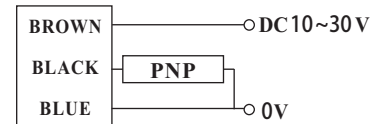
- ◆ Max. Detecting Distance: 2 mm  $\pm$ 10%
- ◆ Stable Detecting Distance: 0~1.5 mm
- ◆ Standard Detecting Object: Iron 12 x 12 x 1t
- ◆ Hysteresis: 15% of operating distance
- ◆ Repetitive Accuracy:  $\pm$ 10%
- ◆ Circuit Protection: Polarity circuit protection
- ◆ Power Supply: DC 10~30V
- ◆ Load Current: 15 mA
- ◆ Response Frequency: 1000 Hz
- ◆ Operating Indicator: Red LED
- ◆ IP Protection: IP67
- ◆ Vibration Resistance: 10~55Hz, 1.5mm X, Y, Z for 2 hours
- ◆ Shock Resistance: 500m/s (50g), X, Y, Z for 3 times
- ◆ Operating Temperature: -25~70°C
- ◆ Operating Humidity: 35~80% RH (non-condensing)
- ◆ Storage Temperature: -30~80°C
- ◆ Storage Humidity: 35~95% RH (non-condensing)
- ◆ Housing Material: PBT resin
- ◆ Wire Material: PVC cable, 2 M wire length
- ◆ Weight: About 25g

## WIRING CONNECTION

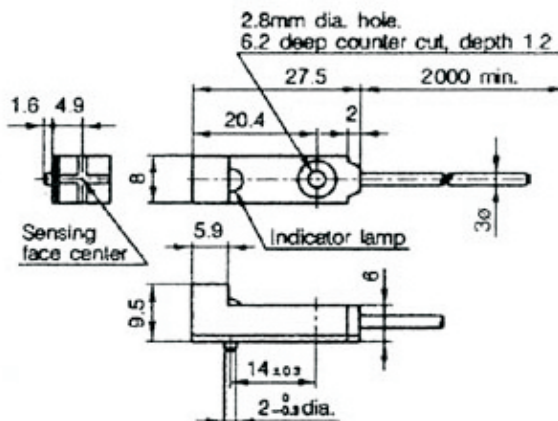
### ● NPN Output



### ● PNP Output



## DIMENSION



### ● Plug Socket

