

# 5 DIGITAL MICRO-PROCESS TEMPERATURE (TC) METER with ALARMS / ANALOG OUTPUT / RS-485

# DC5H-T

## FEATURES

- Accuracy:  $\pm 0.2\%$  F.S.  $\pm 0.5^{\circ}\text{C}$  (Cold junction compensation)
- Measuring Temperature (TC) sensors for K, J, E, R, S, B, T
- High brightness 0.56" LED display range: -19999~99999; 1 decimal point selectable
- $^{\circ}\text{C}/^{\circ}\text{F}$  unit selectable
- 1 control output: ON / OFF or proportion programmable / 2 Alarms output / Analog output (15 bit resolution) or RS-485 communication optional (The above options can exist together)
- High stability, non-flammable case (PC), high safety
- CE approval



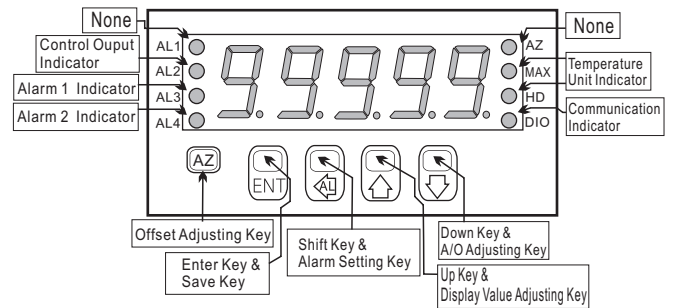
## ORDER INFORMATION: DC5H-T - Code 1 - Code 2 - Code 3 Code 4

Code 1	Input Type	Code 2	Aux. Power	Code 3	Alarm Output	Code 4	Output
B	200~1800 $^{\circ}\text{C}$	A	AC 110/220V	N	None	N	None
E	-185~900 $^{\circ}\text{C}$	B	DC 12V	R1	1 Control	Y	RS-485
J	-200~200 $^{\circ}\text{C}$	C	DC 22~60V	R2	1 Control & 1 Relay	A	4~20 mA
K	-200~1360 $^{\circ}\text{C}$	D	DC 30~90V	R3	1 Control & 2 Relays	V	0~10V
R	0~1760 $^{\circ}\text{C}$	E	AC/DC 100~240V			O	Option
S	0~1750 $^{\circ}\text{C}$						
T	-200~395 $^{\circ}\text{C}$						

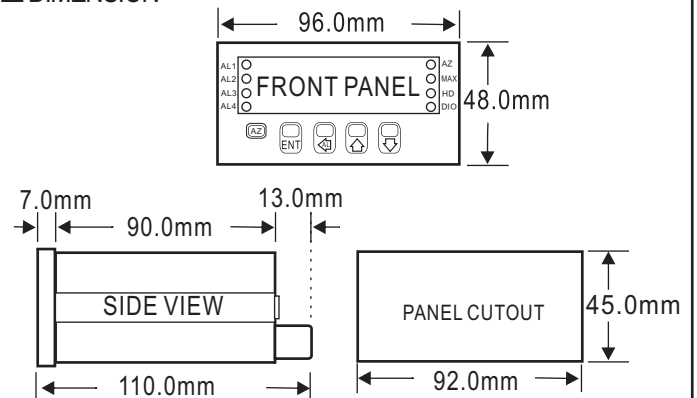
## SPECIFICATION

- ◆ Accuracy:  $\pm 0.2\%$  F.S.  $\pm 0.5^{\circ}\text{C}$  (Cold junction compensation)
- ◆ Display Screen: High brightness red LED; 14.22mm(0.56")
- ◆ Sampling Cycle: 16 cycles / sec (AVG=1)
- ◆ Display Range: -19999~99999
- ◆ Zero Adjustment: -19999~99999
- ◆ Over Range Indication: doFL / ioFL or -doFL / -ioFL
- ◆ Polarity Indication: Automatic with "-" indication
- ◆ Disconnection Indication: Automatic with "OPEN" indication
- ◆ Parameters Setting: Push buttons
- ◆ Back Up Memory: EEPROM
- ◆ Alarm Action: " $\geq$  (Hi) on" or "< (Lo) on"
- ◆ Alarm Run Delay Time: 0~99 sec
- ◆ Proportion Control Area: 0~999%
- ◆ Proportion Control Time: 0~99 sec
- ◆ Relay Contact: AC 277V / 7A; DC 30V / 7A
- ◆ Analog Output Resolution: 15 bit
- ◆ Output Response Time: <250 msec (0~90%)
- ◆ Output Capability: Voltage Output: <20mA  
Current Output: <10V
- ◆ Communication: RS-485 Modbus RTU mode
- ◆ Baud Rate: 38400 / 19200 / 9600 / 4800 bps
- ◆ Parity Check: n.8.2. / n.8.1. / odd / even
- ◆ Temperature Coefficient: 100ppm /  $^{\circ}\text{C}$  (0~60 $^{\circ}\text{C}$ )
- ◆ Operating Temperature: 0~60 $^{\circ}\text{C}$
- ◆ Operating Humidity: 20~90% RH (non-condensing)
- ◆ Storage Temperature: -10~70 $^{\circ}\text{C}$
- ◆ Storage Humidity: 20~90% RH (non-condensing)
- ◆ Power Supply: AC/DC 100~240V; DC 22~60V
- ◆ Power Consumption: 8.5VA (all functions output)
- ◆ Surge Test: 2KVac / 1min (Input / Power)
- ◆ Dimensions: 96(W)\*48(H)\*82(D) mm
- ◆ Weight: About 500 g

## FRONT PANEL & KEY FUNCTIONS

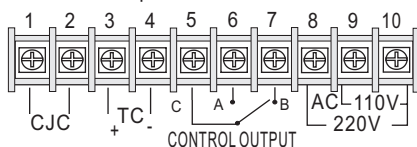


## DIMENSION



## WIRING CONNECTION

### ● 1 Alarm Output



### ● 2 Alarms Output

