

5 DIGITAL MICRO-PROCESS TEMPERATURE (THERMOCOUPLE) METER (24x48mm) with 1 ALARM

DC5S-T

FEATURES

- Accuracy: $\pm 0.2\%$ F.S. $\pm 0.5^{\circ}\text{C}$ (Cold junction compensation)
- Measuring Temperature (TC) sensors for K, J, E, R, S, B, T
- High brightness 0.4" LED display range: -19999~99999; 1 decimal point selectable
- $^{\circ}\text{C}/^{\circ}\text{F}$ unit selectable
- 1 control output: ON / OFF or proportion programmable
- High stability, non-flammable case (PC), high safety
- CE approval



ORDER INFORMATION: DC5S-T - [Code 1] - [Code 2] - [Code 3]

Code 1	Input Type
B	200~1800 $^{\circ}\text{C}$
E	-185~900 $^{\circ}\text{C}$
J	-200~200 $^{\circ}\text{C}$
K	-200~1360 $^{\circ}\text{C}$
R	0~1760 $^{\circ}\text{C}$
S	0~1750 $^{\circ}\text{C}$
T	-200~395 $^{\circ}\text{C}$

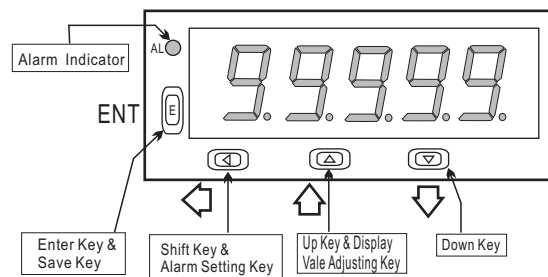
Code 2	Aux. Power
A	AC/DC100~240V
B	DC 22~60V

Code 3	Alarm Output
N	None
R1	1 Control

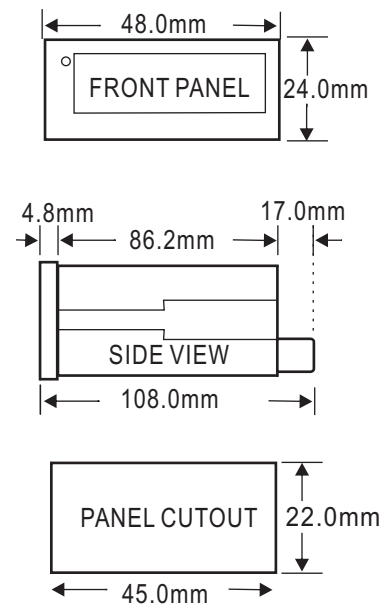
SPECIFICATION

- ◆ Accuracy: $\pm 0.2\%$ F.S. $\pm 0.5^{\circ}\text{C}$ (Cold junction compensation)
- ◆ Display Screen: High brightness red LED; 10.16mm(0.4")
- ◆ Sampling Time: 16 cycles / sec
- ◆ Display Range: -19999~99999
- ◆ Zero Adjustment: -19999~99999
- ◆ Over Range Indication: doFL / ioFL or -doFL / -ioFL
- ◆ Polarity Indication: Automatic with "-" indication
- ◆ Disconnection Indication: Automatic with "OPEN" indication
- ◆ Parameters Setting: Push buttons
- ◆ Back Up Memory: EEPROM
- ◆ Alarm Action: " \geq (Hi) on" or "< (Lo) on"
- ◆ Alarm Run Delay Time: 0~99 sec
- ◆ Relay Contact: AC 277V / 7A; DC 30V / 7A
- ◆ Proportion Control Area: 0~999%
- ◆ Proportion Control Time: 0~99 sec
- ◆ Temperature Coefficient: 100ppm/ $^{\circ}\text{C}$ (0~60 $^{\circ}\text{C}$)
- ◆ Operating Temperature: 0~60 $^{\circ}\text{C}$
- ◆ Operating Humidity: 20~90% RH (non-condensing)
- ◆ Storage Temperature: -10~70 $^{\circ}\text{C}$
- ◆ Storage Humidity: 20~90% RH (non-condensing)
- ◆ Power Supply: AC/DC 100~240V; DC 22~60V
- ◆ Power Consumption: 8.5VA (all functions output)

FRONT PANEL & KEY FUNCTIONS



DIMENSION



WIRING CONNECTION

