

6 CHANNELS 4 DIGITAL MICRO-PROCESS METER with RS-485

DC6A

FEATURES

- Accuracy: 0.05% F.S. ± 1 digit
- Measuring DC Voltage / DC Current / PT-100 / Thermocouple
- High brightness 0.4" LED display range: -1999~9999; decimal point selectable
- RS-485 communication optional
- 6 channels input programmable



ORDER INFORMATION: DC6A - Code 1 - Code 2 - Code 3

Code 1	Input Type
A	DC V:0~ ± 500 mV/ ± 1 / ± 2 V/ ± 5 V/ ± 10 V
B	DC A:0~ ± 20 mA(inclusion DC4~20mA)
C	Pt-100(DIN):(-200~850.0°C)
D	DCV:0~ ± 25 mV/ ± 50 mV/ ± 100 mV/ ± 500 mV/ ± 1 Thermocouple:J(-200~760°C)/ K(-200~1360°C)/E(-185~990°C)/ R(0~1760°C)/S(0~1760°C)/B(200~1800°C)

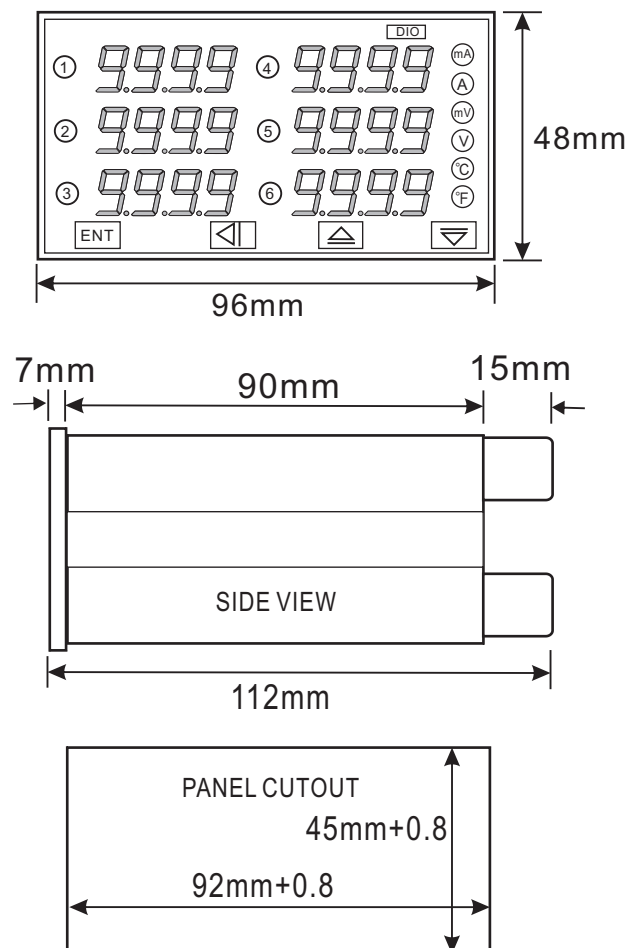
Code 2	RS-485
N	None
Y	RS-485
●	Modbus mode

Code 3	Aux. Power
A	AC/DC18~60V
B	AC/DC90~260V
●	Less 3VA for AC/DC input

SPECIFICATION

- ◆ Accuracy: 0.05% F.S. ± 1 digit(mV, V, mA)
0.1% F.S. ± 1 digit(Pt-100)
0.2% F.S. ± 0.5 °C (CJC)(Thermocouple)
- ◆ CJ Compensation: $< \pm 0.5$ °C (0~70°C)
- ◆ Display Range: -1999~9999
- ◆ Overload Display: "doFL or -doFL"
- ◆ Polarity Indication: When input is negative " _ " display
- ◆ Zero Adjustment: 0~ ± 99
- ◆ Span Adjustment: 0~ ± 99
- ◆ Sampling Cycle: 1cycles/sec.(total)
- ◆ Comm. Address: "01"~"FF"(0~255)
- ◆ Baud Rate: 38400/19200/9600/4800/2400
- ◆ Communication: Modbus RTU mode
- ◆ Display Screen: Bright Red LED high 7mm(0.28")
- ◆ Temp. Coefficient: 50ppm/°C (0~50°C)
- ◆ Parameters Setting: Touch switches
- ◆ Back Up Memory: Non-volatile EEPROM memory
- ◆ Surge Test: 2KVac/1min. (input/case)
- ◆ Operating Temp.: 0~50°C (20 to 90% RH non-condensed)
- ◆ Storage Temp.: 0~70°C (20 to 90% RH non-condensed)

DIMENSION



WIRING CONNECTION

