

10 DIGITAL MICRO-PROCESS TOTALIZER METER

with ALARMS / ANALOG OUTPUT / PULSE OUTPUT / RS-485

GTR

FEATURES

- Accuracy: $\pm 0.003\%$ F.S.
- High brightness 0.4" LED; Rate of display range: 0~99999
- Rate / Total decimal point selectable
- Flow unit selectable: Liter / Gal / C.C. / m³
- Time unit selectable: sec / min / hour / day / month
- K factor programmable for pulse output per liter
- Baud Rate up to 38400 bps
- Total scale programmable (0.0001~9.9999)
- Pulse input range: 0.001~100KHz
- Reset for Total by external control input
- Displacement function for environment monitor application
- 2 Alarms for Rate / 2 alarm for Total (Alarm 1 programmable) / Pulse Output / Analog Output (15 bit resolution) / RS-485 Communication optional (The above options can exist together)
- High stability, non-flammable case (PC), high safety
- CE approval



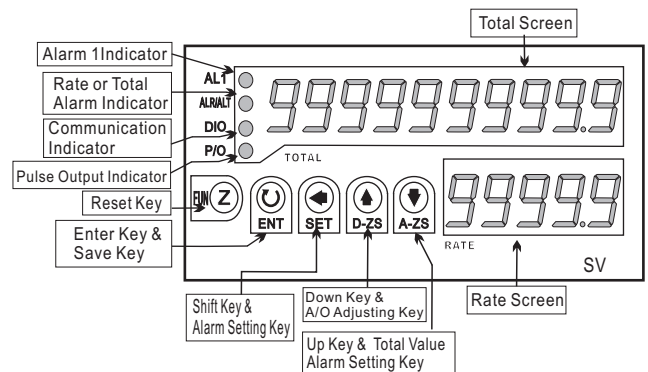
ORDER INFORMATION: GTR - Code 1 - Code 2 - Code 3 Code 4 Code 5 Code 6 Code 7 Code 8

Code 1	Input Signal	Code 1	Input Signal	Code 2	Aux. Power	Code 3	Alarm 1 Setting	Code 4	Rate Alarm Output	Code 5	Total Alarm Output	Code 6	Pulse O/P	Code 7	Analog Output	Code 8	RS-485
N5	NPN(5V)	VC	Pick-up 50mV~1.5V	A	AC/DC 100~240V	N	None	N	None	N	None	N	None	N	None	N	None
N2	NPN(12V)	VD	Pick-up 500mV~15V	B	DC 12V	R	Rate Alarm x 1	R	1 Relay	T	1 Relay	Y	P/Count	A	4~20mA	Y	Yes
P5	PNP(5V)	VE	DC 24Vp	C	DC 24V	T	Total Alarm x 1							V	0~10V		
P2	PNP(12V)	CT	Contact	D	DC 30~90V									O	Option		
		O	Option														

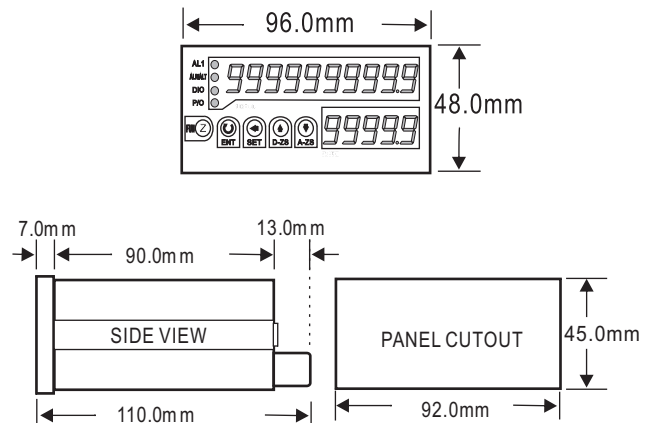
SPECIFICATION

- ◆ Accuracy: Analog input: $\pm 0.1\%$ F.S. ± 1 digit
Pulse input: $\pm 0.03\%$ F.S.
- ◆ Display Screen: High brightness red LED; 10.16mm(0.4")
- ◆ Analog Sampling Time: 16 cycles / sec
- ◆ Pulse Sampling Time: 10 cycles / sec (>10Hz)
f cycles / sec (<10Hz)
- ◆ Display Range: Rate: 0~99999
Total: 0~9999999999
Rate: 0~99999
- ◆ Zero Adjustment: doFL / ioFL
- ◆ Over Range Indication: Automatic with "-" indication
- ◆ Polarity Indication: Push buttons
- ◆ Parameters Setting: EEPROM
- ◆ Back Up Memory: EEPROM
- ◆ Alarm Action: Rate: " \geq (Hi) on" or "<(Lo) on"
Total: " \geq (Hi) on"
- ◆ Alarm Run Delay Time: 0~99 sec
- ◆ Relay Contact: AC 277V / 7A; DC 30V / 7A
- ◆ Analog Output Resolution: 15 bit
- ◆ Output Response Time: <250 msec (0~90%)
- ◆ Output Capability: Voltage Output: <20mA
Current Output: <10V
- ◆ Communication: RS-485 Modbus RTU mode
- ◆ Baud Rate: 38400 / 19200 / 9600 / 4800 bps
- ◆ Temperature Coefficient: 100ppm / °C (0~60°C)
- ◆ Operating Temperature: 0~60°C
- ◆ Operating Humidity: 20~90% RH (non-condensing)
- ◆ Storage Temperature: -10~70°C
- ◆ Storage Humidity: 20~90% RH (non-condensing)
- ◆ Power Supply: AC/DC 100~240V; DC 12 / 24 / 30~90V
- ◆ Power Consumption: 8.5VA (all functions output)
- ◆ Surge Test: 1.5KVac / 1min (Input / Power)

FRONT PANEL & KEY FUNCTIONS



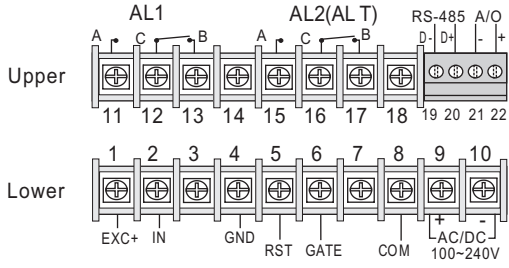
DIMENSION



WIRING CONNECTION

2 Alarms for Rate

- Pulse / Mechanical Contact / Magnetic (Pick Up)



2 Alarms for Rate / 1 Alarm for Total / Pulse Output for Total

- Pulse / Mechanical Contact / Magnetic (Pick Up)

