

ANALOG / PULSE INPUT RATE / TOTALIZER / BATCH FLOW METER

GRT-B

FEATURES

- Accuracy: 0.05% F.S. ± 1 digit
- Measuring Rate for 5 digits / Batch for 6 digits / Total for 10 digits
- 4 Time units and 5 Flow units selectable
- Preset function for batch control
- Up / Down count function available for batch control
- Start / Stop / Reset function from the front panel button
- Protection: NEMA4/IP64



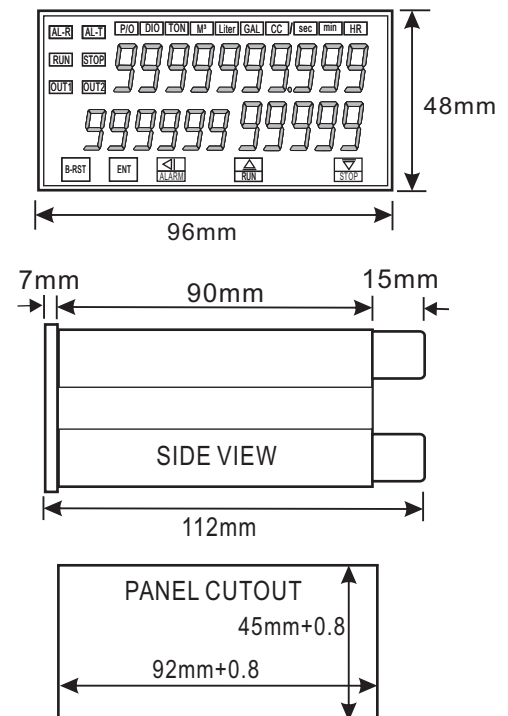
ORDER INFORMATION: GRT-B - [Code 1] [Code 2] [Code 3] - [Code 4] [Code 5] [Code 6]

Code 1	Input Type	Code 2	Linearization	Code 3	Alarm Output	Code 4	Analog Output	Code 5	RS-485	Code 6	Aux. Power
A	DC1~5V & NPN/PNP Voltage pulse	N	None	0	None	N	None	N	None	N	AC/DC18~60V
B	DC4~20mA & NPN/PNP Voltage pulse	Y	16 Point (linearity)	2	Rate/Totalizer	I	DC4~20mA	Y	RS-485	Y	AC/DC90~260V
C	DC1~5V & Magnetic pick-up	Only analog input type		Relay contact AC250V~5A DC30V~7A		V	DC0~10V	Modbus RTU 256 nodes on bus		Less 5VA for AC/DC input	
D	DC4~20mA & Magnetic pick-up					R	Option				
O	Option										
DC4~20mA (input impedance=50 ohm)											
DC1~5V (input impedance=500 ohm)											

SPECIFICATION

- ◆ Accuracy: 0.05% F.S. ± 1 digit(Rate/Analog input)
- ◆ Display Range: 0~99999(Rate)/0~999999(Batch)
0~9999999999(Totalizer)
- ◆ Input Type: Inside jumper selectable
DC 4~20mA / DC 1~5V (Analog)
Current sourcing(NPN)/Current sinking(PNP)
Switch contact (Pulse)
- ◆ Pulse Trigger Level: High level:
VIH=DC 4~30V (Pulse)
VIH=AC 30mV~30V (Magnetic pick-up)
VIH=Rmax.<500ohm (Switch contact)
Low level:
VIL=DC 0~2V (Pulse)
VIL=AC 0~20mV (Magnetic pick-up)
VIL=Rmax.<1Kohm (Switch contact)
- ◆ Max. Input Frequency: <10KHz(50% duty cycle(Pulse)
<1KHz (Magnetic pick-up)
<100Hz (Switch contact)
- ◆ Batch Control O/P 2 Run Delay Time: 0 to 99 (output2)
- ◆ Batch Control O/P 2 Preset Value: 0 to 9999 (output2)
- ◆ Batch Control O/P Reset Mode: Up to Down can be modified
- ◆ Batch Control O/P Action: Manual(N) or Auto restart(A) can be modified
- ◆ Analog Output Resolution: 16 bit DAC
- ◆ Output Response Time: <50ms(0~90%)
- ◆ Output Capability: <10mA for voltage mode
<10V for current mode
- ◆ Pulse Output Capability: Photo couple of open-collector
(Max.DC30/50mA)
(Synchronize totalizer)(Max. 100Hz)
"01"~"FF"(0~255)
- ◆ Comm. Address: 38400/19200/9600/4800/2400
- ◆ Baud Rate: 50ppm/°C (0~50°C)
- ◆ Temperature Coefficient: Rate: 10.16mm(0.4")
Batch: 7.0mm(0.28")
Totalizer: 10.16mm(0.4")
- ◆ Display Screen: Non-volatile EEPROM memory
- ◆ Back Up Memory: 2KVac/1min. (input/case)
- ◆ Surge Test: 0~50°C (20 to 90% RH non-condensed)
- ◆ Operating Temperature: 0~70°C (20 to 90% RH non-condensed)
- ◆ Storage Temperature: 0~70°C (20 to 90% RH non-condensed)

DIMENSION



WIRING CONNECTION

