

5 DIGITAL MICRO-PROCESS FLOW TOTALIZER (24x48mm) with 1 ALARM

CFS-C

FEATURES

- High brightness 0.4" LED display: -19999~99999
- Flow unit selectable: Liter / Gal / C.C. / m³
- K factor programmable for pulse output per liter
- N / R / C relay output mode selectable
- 1 alarm setting (Hi or Lo) programmable
- Reset count by compound key (Shift + Up)
- High stability, non-flammable case (PC), high safety
- CE approval



ORDER INFORMATION: CFS -C- [Code 1] [Code 2] - [Code 3]

Code 1	Input Signal	Code 1	Input Signal
N5	NPN(5V)	VC	Pick-up 50mV~1.5V
N2	NPN(12V)	VD	Pick-up 500mV~15V
P5	PNP(5V)	VE	DC 24Vp
P2	PNP(12V)	CT	Contact
		0	Option

Code 2	Aux. Power
A	AC/DC 100~240V
B	DC 22~60V

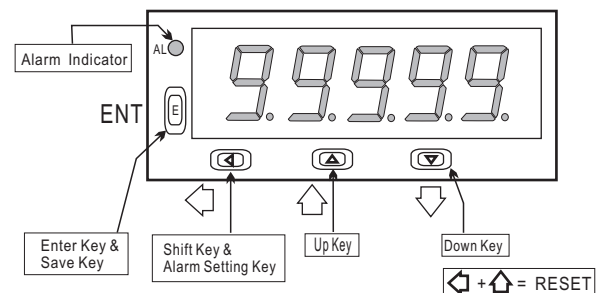
Code 3	Alarm Output
N	None
R1	1 Relay

**1: NPN(5V),PNP(5V) offers excitation power DC5V; NPN(12V),PNP(12V) offers excitation power DC12V for flow sensors using.
2: Please use PNP/NPN(5V/12V) or DC24Vp for DC pulse input.

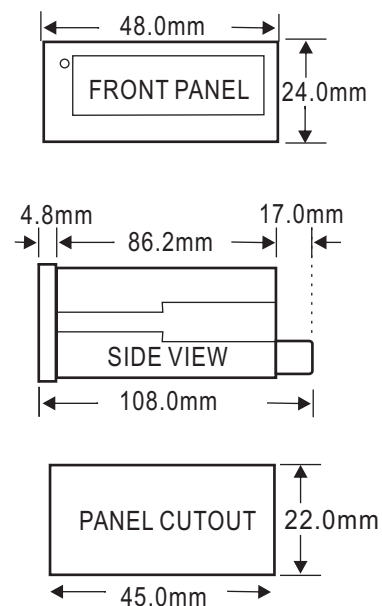
SPECIFICATION

- ◆ Display Screen: High brightness red LED; 10.16mm(0.4")
- ◆ Max. Input Frequency: 7KHz
- ◆ Display Range: 0~99999
- ◆ Parameters Setting: Push buttons
- ◆ Back Up Memory: EEPROM
- ◆ Alarm Action: "≥ (Hi) on" or "< (Lo) on"
- ◆ Relay Contact: AC 277V / 7A; DC 30V / 7A
- ◆ Relay Output Mode: N / R / C (depends on 1st alarm setpoint)
- ◆ Alarm Run Time: 1~99 sec
- ◆ Temperature Coefficient: 100ppm / °C (0~60°C)
- ◆ Operating Temperature: 0~60°C
- ◆ Operating Humidity: 20~90% RH (non-condensing)
- ◆ Storage Temperature: -10~70°C
- ◆ Storage Humidity: 20~90% RH (non-condensing)
- ◆ Power Supply: AC/DC 100~240V; DC 22~60V
- ◆ Power Consumption: 8.5VA (all functions output)
- ◆ Surge Test: 1.5KVac / 1min (Input / Power)

FRONT PANEL & KEY FUNCTIONS



DIMENSION



WIRING CONNECTION

